

# WC26

HVI certified performance

Quick release stainless steel/aluminum mesh, dishwasher-safe filters

Ambient light sensor automatically turns on/off LED accent light

Heat Sentry™ detects excessive heat and adjusts speed to high automatically

10 minute time-delay shut-off feature and reminder light for filter maintenance

Telescopic flue for 8-9' ceilings is standard, flue extensions for 10' ceilings and custom extensions available (see page 84)

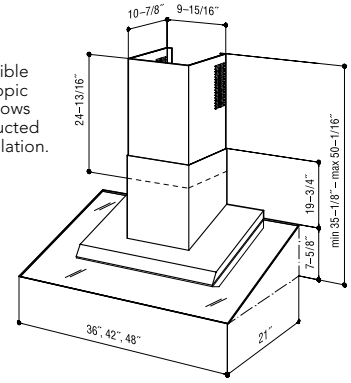
Recirculating flues have vent openings to allow non-ducted operation—may be exposed in ducted applications with 9' ceilings

CFM Reducer Kit for internal blower reduces max CFM to 250–300



Larger photo on page 27.

Reversible telescopic flue allows non-ducted recirculation.



## Hood Sizes

Width 36", 42", 48"

Depth 21"

## Finish

Stocked	Brushed Professional Grade Stainless Steel with Clear Glass
Special Order	Brushed Copper with Clear Glass

## Features

Light Type	Halogen, G4-20W
Number of Lamps	2
Lighting Levels	2
Lighting Lamps Included	Yes
Control Type	4-Speed, Electronic Push-button with LED Display
Control Features	Heat Sentry™, Delay Off, Filter Timer, Light Sensor
Control Remote	Not Available
Filter: Standard	Stainless Steel Mesh
Filter: Options	Not Available
Non-ducted Capability	Yes

## Blower Options (Internal WC26I; External WC26E—choose one)

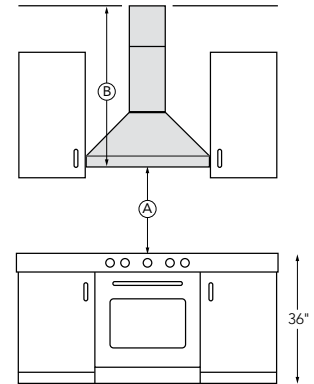
<b>Internal</b> included with WC26I				
Vertical CFM High/Low	480/130			
Sones High/Low	9.5/1.0			
<b>External In-line</b> , see page 80	<b>ILB3</b>	<b>ILB6</b>	<b>ILB9</b>	<b>ILB11</b>
Vertical or straight through CFM	280	600	800	1100
Horizontal or right angle CFM	260	600	700	1000
Some levels are typically half of comparable CFM internal blowers.				
<b>External Exterior</b> , see page 81	<b>EB6</b>	<b>EB9</b>	<b>EB12</b>	<b>EB15</b>
Vertical or straight through CFM	600	900	1200	1500
Some levels are typically half of comparable CFM internal blowers.				

## Accessories

Flue Extension (ducted)	AEWC26SB—Stainless Steel AEWC26CB—Copper
Flue Extension (non-ducted)	AEWC26SBN—Stainless Steel AEWC26CBN—Copper
Non-ducted Recirculating Kit	ANKWC26
CFM Reducer Kit	ARP6

## Installation Requirements

Amps @ 120V	3.13
Amps @ 120V: External Blower	7.0 Maximum
Electrical	Plug-In
Duct Size: Internal Blower	6"
Duct Size: External Blower	8" round at hood (see external blower duct size, pages 80–81, transition to 10" typical)
Duct Direction	Vertical
Backdraft Damper	Included



A. Installation height above the cooking surface for varying ceiling heights:  
8' ceiling: 22–25"  
9' ceiling: 22–28"  
10' ceiling: 22–28"

B. Minimum/maximum distance from bottom of range hood to top of telescopic flue: 35-1/8–50-1/16"



Two 20-watt halogen lamps provide ample lighting for the work surface.



Four-speed, electronic push-button control with blue LED display.

