

Type	Job. Ref.
------	-----------

Catalog Number

PCA-1236-PL
 PCA-1230-PL
 PCA-1210-PL

Peachtree Acrylic Cylinder Fluorescent 120V/277V

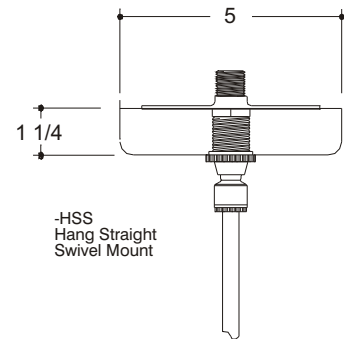
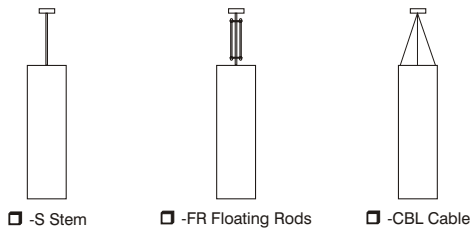
APPLICATION

Combining indirect and direct lighting, these contemporary and traditional style acrylic cylinders are used to enhance the architectural intent of the space.

PRODUCT SPECIFICATION DATA:

- 12" Diameter 3/16" thick White Virgin Acrylic Cylinder, sandblasted or polished
- 18 gauge White Powder Coated Galvanized Steel chassis maintains support for electronic ballast
- Tested to UL Standard 1548
- Suitable for damp locations (covered locations only)
- Canopy mounts to junction box (by others)
- Suitable for up to 4 x 39w Biax and 1 R40 Lamp
- Downlight wired for separate switching
- 120 volt Standard, No R lamp downlight for 277/347 volts

Pendant Styles



Finish

- Cat. No. -PB Polished Brass
- Cat. No. -PN Polished Nickel
- Cat. No. -DB Dark Bronze
- Cat. No. -BK Black
- Cat. No. -SC Custom Color (RAL # _____)

Options and Modifications

- Cat. No. -F Fusing
- Cat. No. -DIM Dimming Ballast
- Cat. No. -REM Emergency Battery Pack (Fluorescent - Remote mount by others)
- Cat. No. -347 347V (Fluorescent)
- _____ Other

For other lamping and finishes Consult Factory

Sample Part Number

PCA - 1236 - PL - PB - S
 Model Size Lamp Finish Pendant

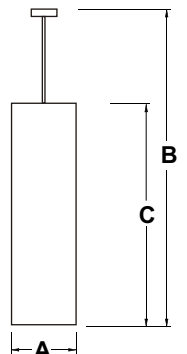
Canopy mounts to junction box (by others)
 all junction boxes for pendant fixtures over 24" require suitable structural support mechanism such as blocking

High Power Factor Electronic ballast standard

LABELS - All fixtures are tested to the appropriate UL Standards by Electrical Testing Laboratory. The labels are affixed to the fixture indicating the test number and the standards used.

DIMENSIONS

Size	Lamp Type	A Cylinder Diameter	B Overall Height	C Cylinder Height	# of Lamps	Downlight R Lamp
1210	PLT	12"	16"	10"	3-26w	n/a
1230	PLT	12"	54"	30"	4-42w	1
1236	PLL	12"	60"	36"	4-39w	1



(Continued on Reverse Side) PAGE A 298

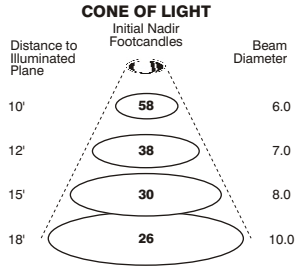
Peachtree Acrylic Cylinder

Fluorescent 120V/277V

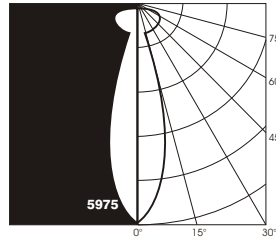
- PCA-1236-PL
- PCA-1230-PL
- PCA-1210-PL

Test #: P709080.1
Lamp: (4) 39W PLT
 (1) 150W PAR 38
Lumens: 2670
LPW@ 120V: 25 LPW
S/MH: 1.3
Efficiency: 55%

Energy Data
Ballast: **Watts:** **Amps:**
 120 v 372 3.12
 277 v 372 1.56



CANDLEPOWER DISTRIBUTION CURVE



COEFFICIENT OF UTILIZATION

rc	80%		50%	
	rw	rw	rw	rw
RCR 0	60	60	49	49
1	50	47	40	37
2	44	39	35	30
3	38	34	31	25
4	34	30	28	22
5	31	26	26	20
6	28	24	24	18
7	26	22	22	16
8	24	20	20	15
9	23	18	19	14
10	21	17	18	13

Dimensions and specifications in this catalog are based on the most current available data and are subject to change.